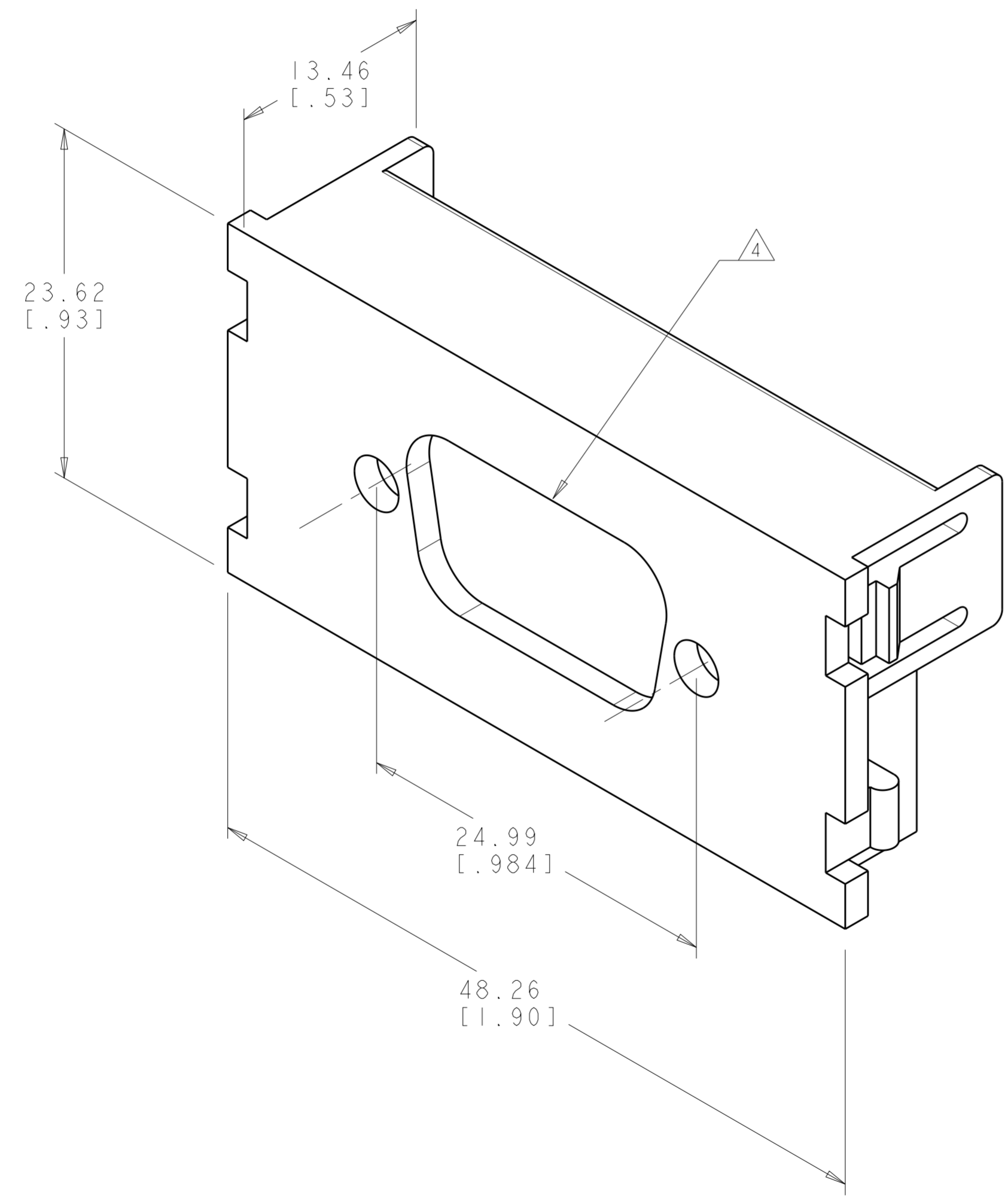


THIS DRAWING IS UNPUBLISHED. RELEASED FOR PUBLICATION 20
 © COPYRIGHT 20 BY - ALL RIGHTS RESERVED.

REVISIONS				
P	LTR	DESCRIPTION	DATE	APVD
A		REV; ECO-13-019929	19DEC2013	GG RA
B		REV; ECO-15-004538	19MAY2015	GG RA



- 1. MATERIAL:
MODULE: ABS MOLDING COMPOUND.
SEE TABLE FOR COLOR.
- 2. DIMENSIONS ARE NOMINAL UNLESS OTHERWISE SPECIFIED.
- 3. REFER TO INSTRUCTION SHEET 408-8398 FOR INSTALLATION PROCEDURES.
- 4. MOUNTING CUTOUT FOR HDI5 SUBMINATURE D CONNECTOR.

ALPINE WHITE	I-1479079-3
LT ALMOND	1479079-1
COLOR	PART NUMBER

THIS DRAWING IS A CONTROLLED DOCUMENT.		DWN L HALL	15NOV01	TE Connectivity
DIMENSIONS: MM [INCHES]		CHK G BOWMAN	15NOV01	
TOLERANCES UNLESS OTHERWISE SPECIFIED:		APVD G BOWMAN	15NOV01	
0 PLC ±- 1 PLC ±- 2 PLC ±.25 3 PLC ±- 4 PLC ±- ANGLES ±- FINISH -		PRODUCT SPEC	-	
MATERIAL	-	APPLICATION SPEC	-	NAME MODULE, 1 UNIT, SVGA 15 PIN, SL SERIES
		WEIGHT	-	SIZE A2
		Customer Drawing		CAGE CODE -
				DRAWING NO G-1479079
				RESTRICTED TO -
				SCALE 4:1 SHEET 1 OF 1 REV B